



# ATHENA 183

This model of the ATHENA heavy series is particularly suitable for handling heavy loads with long strokes and low bending.



SINGLE DEPTH

Due to its considerable weight, it's designed for on-site maintenance: all components prone to wear and tear can be replaced without removing

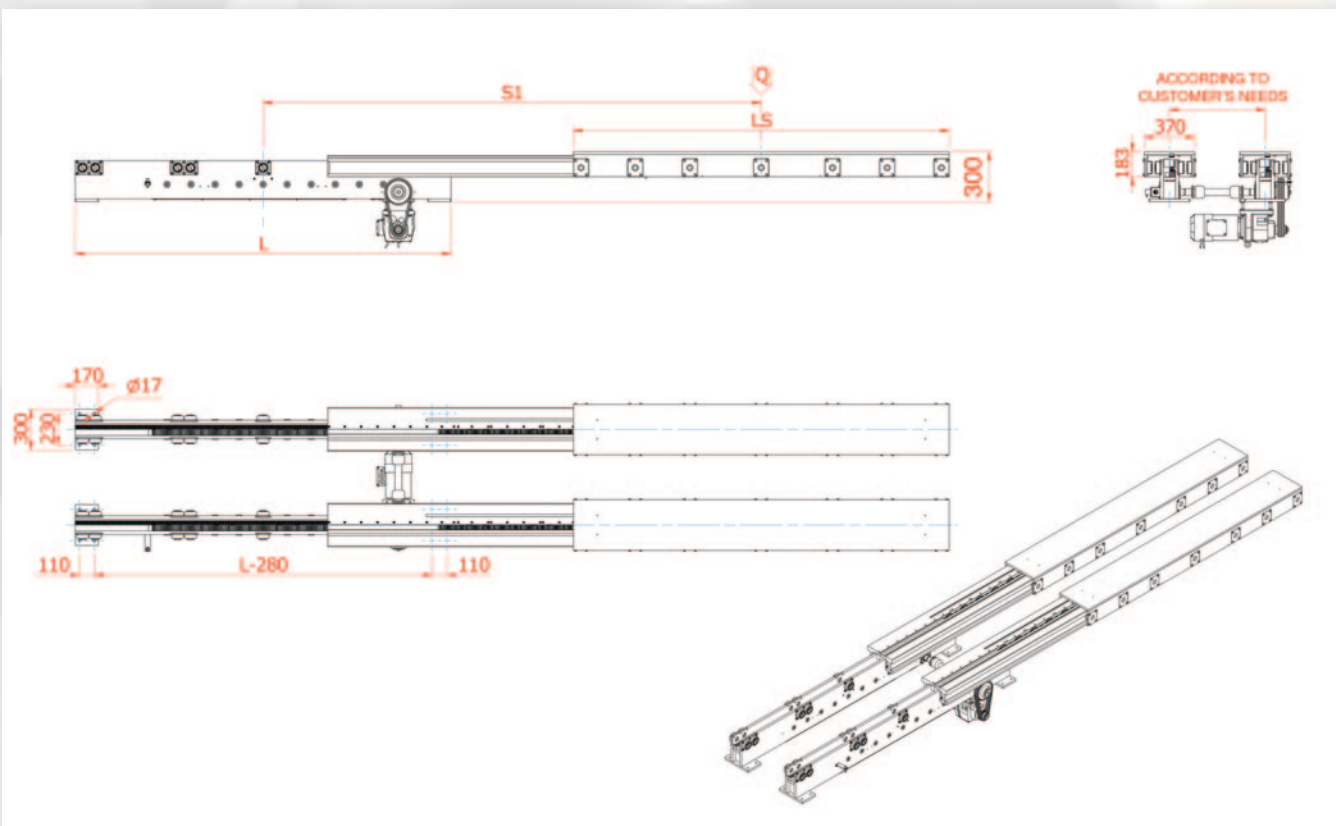
the fork from its operating site.

PRODUCT CODE	Q LOAD (KG)	L FIXED BODY LENGTH (MM)	Ls UPPER SLIDE LENGTH (MM)	S1 STROKE (MM)	MAX BENDING UNDER LOAD (MM)
AT183-150	5000	1500	1500	1600	6
AT183-175		1750	1750	1850	7
AT183-200		2000	2000	2200	13
AT183-225	3000	2250	2250	2350	11
AT183-250		2500	2500	2600	13
AT183-275		2750	2750	2850	15
AT183-300		3000	3000	3200	23

Its version with inclined slides is expressly designed to handle big size coils.

DOUBLE DEPTH

TRIPLE DEPTH



COMBINED PRODUCTS

SPECIAL PRODUCTS